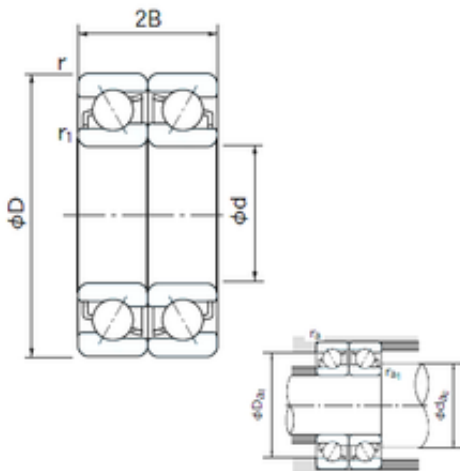




PRECISION AXLE CORP.OF AMERICAN



160 mm x 240 mm x 38 mm NACHI 7032CDF
angular contact ball bearings

Bearing No. 7032CDF

7032CDF Bearing 2D drawings and 3D CAD models

Size	160x240x38 mm
Bore Diameter	160 mm
Outer Diameter	240 mm
Width	38 mm
d	160 mm
D	240 mm
B	38 mm
C	38 mm
Angle (°)	15 °
a	4.1 mm
r min.	2.1 mm
r1 min.	1.1 mm
2B	76 mm
da min.	169 mm
Da max.	234 mm
ra max.	1 mm
Weight	5.44 Kg
Basic dynamic load rating (C)	280 kN
Basic static load rating (C0)	390 kN
(Grease) Lubrication Speed	3200 r/min
Bore Type	Cylindrical Bore
Enclosure	Open
Configuration	Duplex
Bore Size	160 mm
Outside Diameter	240 mm



PRECISION AXLE CORP.OF AMERICAN

Width	38 mm
Fillet Radius/Chamfer	2.1 mm
r1	1.1 mm
Dynamic Load Rating	280,000 N
Static Load Rating	390,000 N
Limiting Speed - Grease	3,200 rpm
Limiting Speed - Oil	4,400 rpm
da1 (min)	169 mm
da2 (min)	169 mm
Da1 (max)	231 mm
Da2 (max)	234 mm
ra (max)	2 mm
ra1 (max)	1 mm